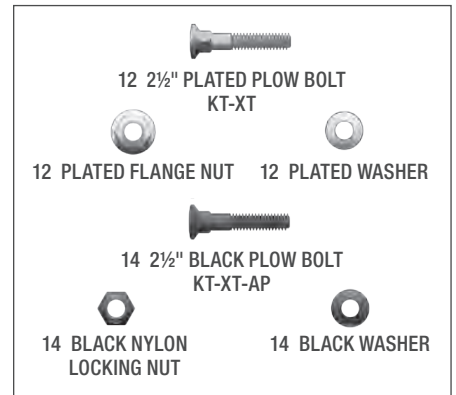
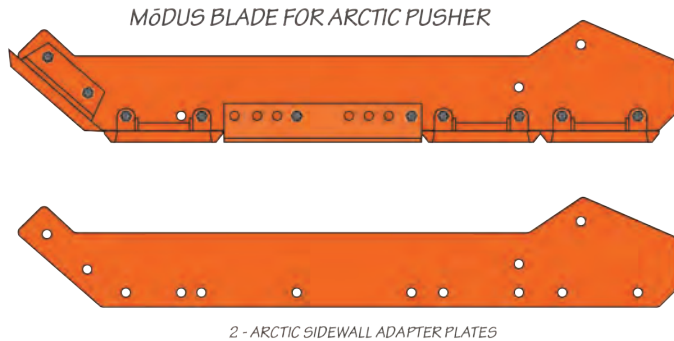




INSTALLATION INSTRUCTIONS

MōDUS® Modular Shoe System for Arctic® LD Snow Pushers

PARTS INCLUDED [LD 7-HOLE MOUNTING]



BOLT KIT INCLUDES

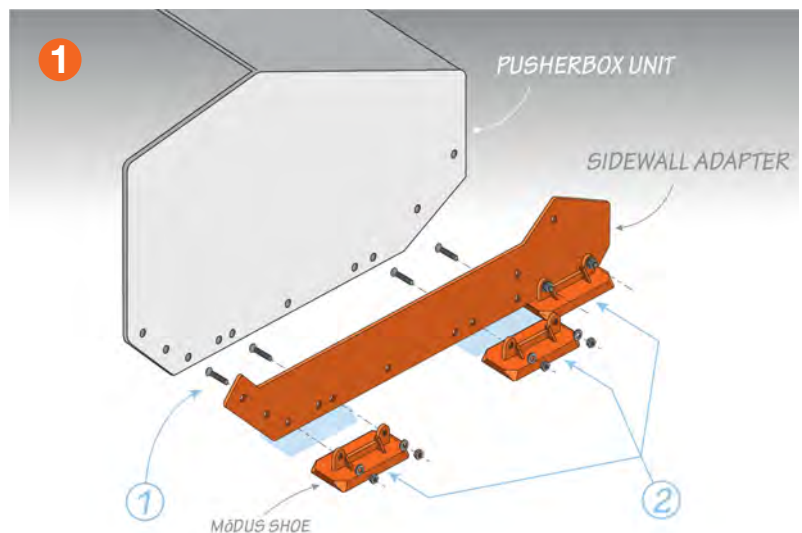
IMPORTANT!

The moldboard mounting surface must be clean of all foreign material prior to installing new blades and hardware to avoid issues with bolt loosening while in service.

- ◆ For torque recommendation, please refer to SAE J1701
- ◆ Re-torque hardware after the first 10 plow hours

Step 1

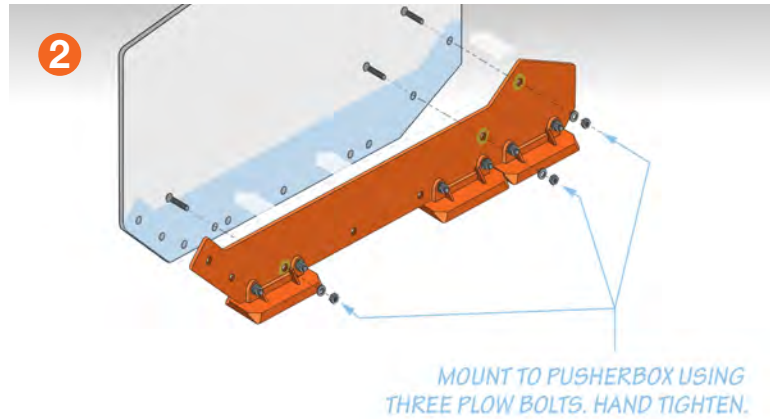
Using supplied coated hardware (part #KT-XT Pusher Box Shoe) insert plow bolts into countersunk side of sidewall adapter (1). Using the nuts and washers from the same kit, fasten the orange frame shoes hand tight to outside of sidewall adapter (2).



FOR EACH ADAPTER PLATE THIS STEP USES: 6 2 1/2" PLATED PLOW BOLT  6 PLATED FLANGE NUT  6 PLATED WASHER 

Step 2

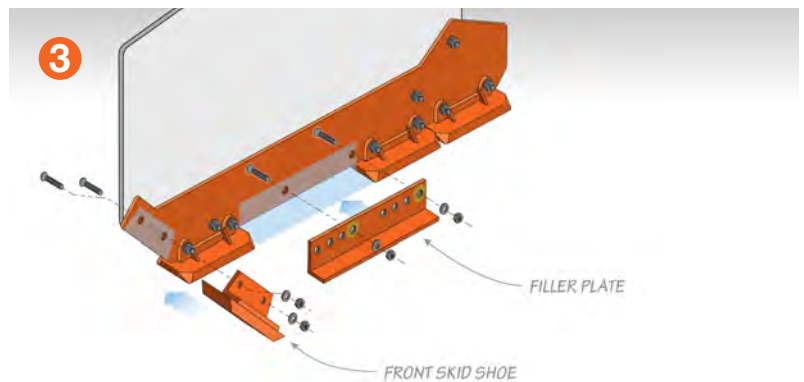
Using supplied black plow bolts (part #KT-XT-AP), washers, and nuts, install only the three bolts shown through adapter plate and sidewall of pusherbox unit. Hand tighten fasteners.



FOR EACH ADAPTER PLATE THIS STEP USES: 3 2½" BLACK PLOW BOLT  3 BLACK HEX NUT  3 BLACK WASHER 

Step 3

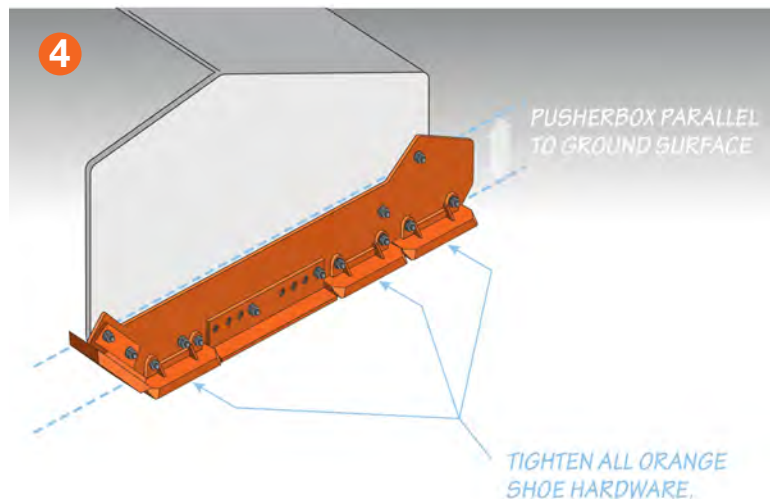
Mount front skid shoe to outside of front angled section of adapter plate using black plow bolts, washers, and nuts; hand tighten fasteners. Install center filler plate in same fashion. Fully tighten all hardware from steps two and three.



FOR EACH ADAPTER PLATE THIS STEP USES: 4 2½" BLACK PLOW BOLT  4 BLACK HEX NUT  4 BLACK WASHER 

Step 4

Set pusherbox on ground and ensure box is parallel to the surface it is sitting on. Then tighten all orange shoe hardware. This ensures even wear on all shoes as well as ensuring the system is completely parallel to the ground.



Re-torque hardware after the first 10 plow hours