

## Carbide tip road grading systems outperform standard blades.

A system's rotating, self-sharpening, replaceable tools can guarantee the right road grade every time.



Using a worn standard blade gets poor results.



### Uses Include:

- Gravel Reclamation and Maintenance
- Oil Road Reclamation
- Ice and Snow Removal
- Asphalt Planing
- Mixing in Calcium Chloride, Magnesium Chloride or other Dust Suppressants
- Chip and Seal Road Reclamation

Superior design increases equipment productivity, provides a better-finished surface and lowers grading costs for all of these surface applications.

### Gravel Reclamation and Maintenance

A scarifier quickly brings embedded rock to the surface so less new stone is needed.

### Oil Road Reclamation

A scarifier requires less oil due to the mixing action of the rotating tools and better distribution on the entire road.

### Ice and Snow Removal

A scarifier creates a grooved surface which facilitates better traction and the faster penetration of ice-melting chemicals; need fewer chemicals.

### Asphalt Planing

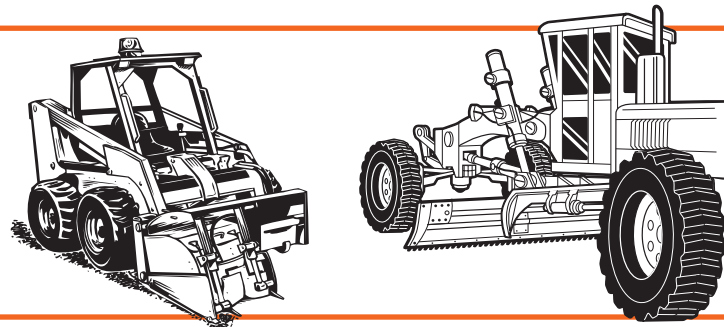
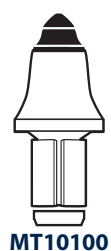
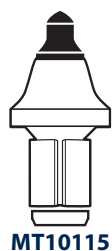
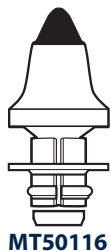
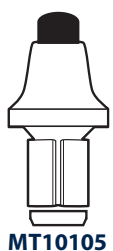
A scarifier removes asphalt to the desired profile; bump grinds wheel ruts, washboards, asphalt pushes and frost heaves; removed material can be reused as fill.

### Mixing in Calcium Chloride, Magnesium Chloride or other Dust Suppressants

A scarifier evenly mixes and distributes dust control agents; reduces the amount needed.

### Chip and Seal Road Reclamation

- Tar sand road reclamation
- Pothole and washboard removal on dirt and gravel roads
- Spreading loose material



Take advantage call us today.  
**800-294-6837**

 **WINTER**  
We are cutting edge.  
winterequipment.com