

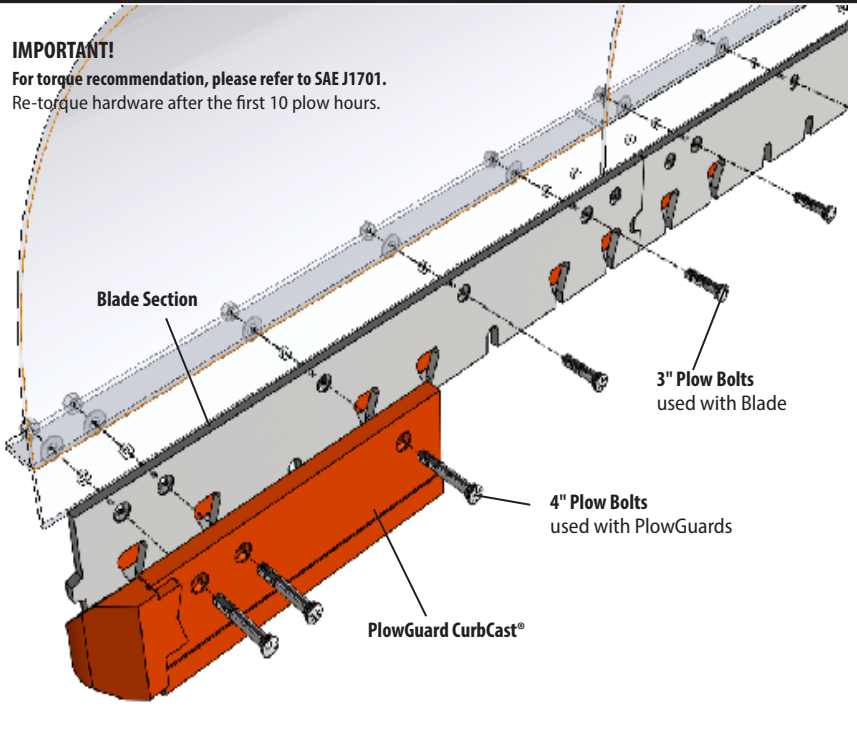
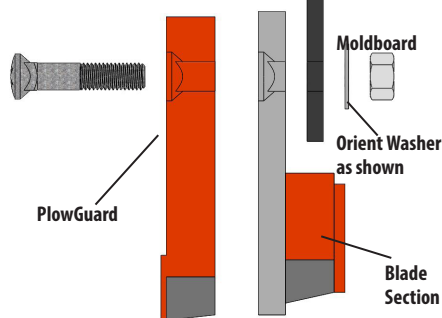
# PATRIOT® SNOWPLOW BLADE SYSTEM

## INSTALLATION GUIDE

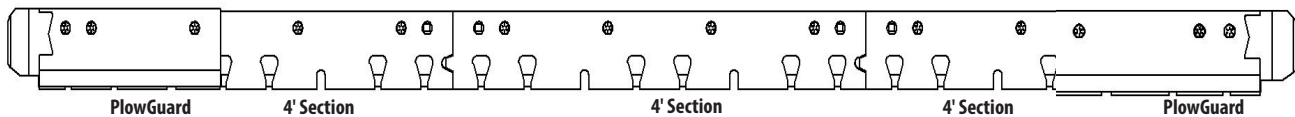
**IMPORTANT! BEFORE REMOVING PATRIOT® SYSTEM,** Observe where most wear is on blade sections.

This is where you will place the PlowGuard for added protection.

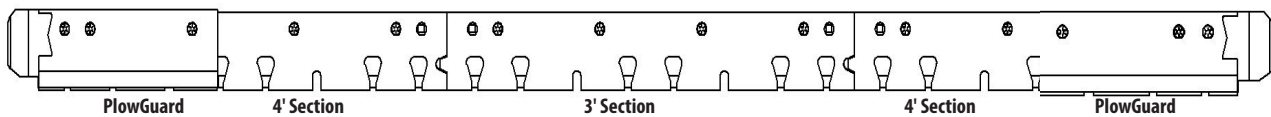
**AFTER REMOVING PATRIOT® SYSTEM,** Both sides of the moldboard should be free of rust, scale, dirt, etc. to reduce bolt loosening issues while in service.

Winter® PATRIOT® System	Winter® PATRIOT® Exploded View
3 – Winter® PATRIOT® Blade Sections (3' or 4')	<p><b>IMPORTANT!</b> For torque recommendation, please refer to SAE J1701. Re-torque hardware after the first 10 plow hours.</p>  <p>Blade Section</p> <p>3" Plow Bolts used with Blade</p> <p>4" Plow Bolts used with PlowGuards</p> <p>PlowGuard CurbCast®</p>
2 – PlowGuards	
1 – Plow Bolt Kit (may contain extra hardware) 14 – 3" Plow Bolts (Blade assembly) 4 – 4" Plow Bolts (PlowGuard assembly) 16 – Stover Lock Nuts 16 – Washers	
Winter® PATRIOT® Side View	
 <p>PlowGuard</p> <p>Moldboard</p> <p>Orient Washer as shown</p> <p>Blade Section</p>	

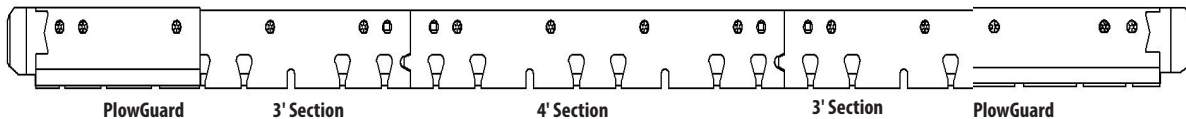
### 12' Winter® PATRIOT® Setup



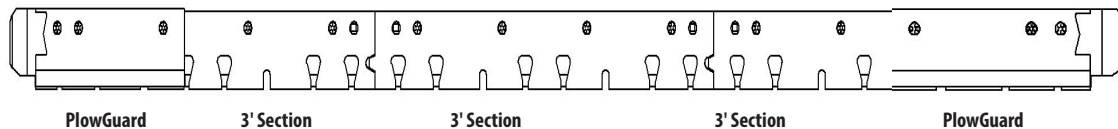
### 11' Winter® PATRIOT® Setup



### 10' Winter® PATRIOT® Setup



### 9' Winter® PATRIOT® Setup



Questions? 1-800-294-6837 or [WinterEquipment.com](http://WinterEquipment.com)