

Built-In Shock Absorbers Reduce Carbide Insert Fracturing.

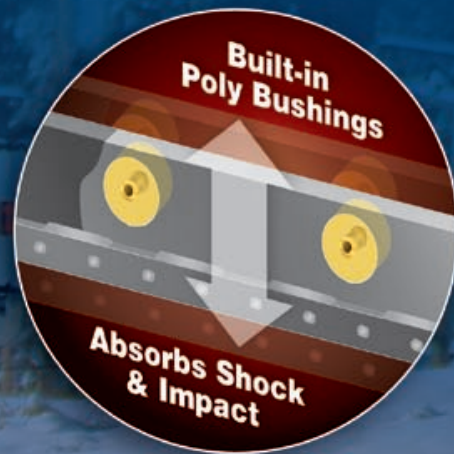
Order Complete Shock-Absorbing System Featuring the SnoShock™ Carbide Insert Blade.

SnoShock™ has built-in poly bushings that replace standard mounting holes.

The bushings act as shock absorbers, allowing the blade to move and float under the weight of the plow.

This cushioning effect absorbs the shock and impact normally transmitted through the blade and virtually eliminates carbide insert fracturing.

An abrasion resistant "Shield/Impact Bar" at bottom of blade protects against impacts and premature wear.



SNO SHOCK
Blade

Complete Blade System with SnoShock™ Carbide Insert Blade

Order using one part number.

The Sno-Shock System increases blade life by 200% over standard carbide blades.

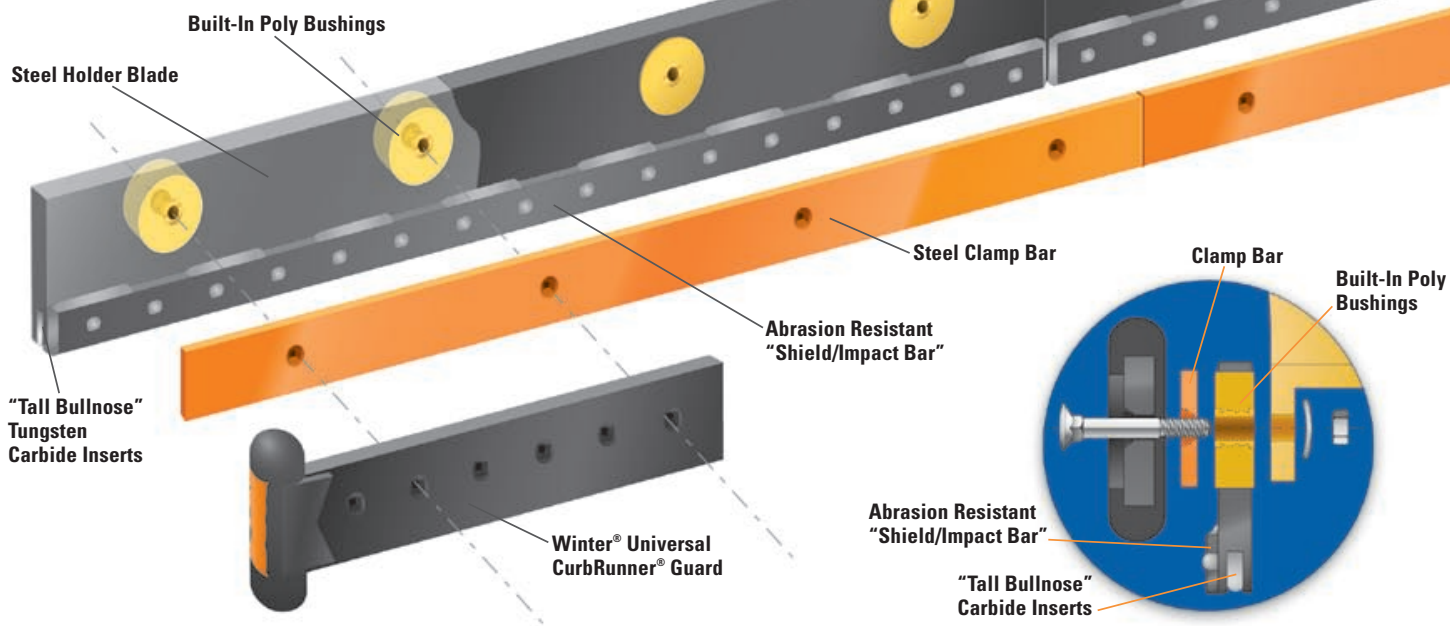


Winter
EQUIPMENT COMPANY, INC.

www.WinterEquipment.com

SNO SHOCK™ System with Shock-Absorbing Blade

The complete system for the SnoShock™ carbide insert blade comes in one ready-to-assemble package, including a plow bolt kit. The SnoShock™ with built-in poly bushings and its abrasion resistant "Shield/Impact Bar" is designed to absorb shock and impacts that can damage carbide blades. Winter® CurbRunner® Guards are included to protect the plow ends. Order complete package using one part number, available in 3' and 4' sections.



SnoShock™ Carbide Insert Blade with built-in shock absorbers.

- .875 thick x 6" tall hardened steel holder blade
- Available in 12" or 8" hole spacing, to fit 10', 11', 12' length
- Extra-large "Tall Bullnose" tungsten carbide inserts .36" thick x .76 tall
- Embedded poly bushings absorb shock and impacts normally transmitted through blade
- .25 thick x 1.5" tall, abrasion resistant "Shield/Impact Bar" on bottom edge of blade, protects carbide inserts & blade from premature wear

Hardened Steel Clamp Bar.

- .625 thick x 3" tall
- Used to mount SnoShock™ blade and hold blade firmly in place when plowing

Winter® Universal CurbRunner® Guards.

- Heavy plate steel with cast steel end featuring an embedded carbide matrix edge at point of impact
- Installs on right or left blade end

Plow Bolt Kit.

- Contains all the bolts, nuts and washers you need for quick, easy assembly

Order The SnoShock™ SystemPak Using One Part Number

You get all the parts for the complete system in one easy-to-handle, secure package. No more stocking loose parts. The crates stack easily and neatly to save space. SystemPaks will help clean up your inventory, and cut maintenance time and cost. When you're ready to install, just pop open the crate. All the right parts will be at your fingertips.

SystemPak contains:

