

# New "Workhorse" Plows 4X More Miles Before Change Out.

## Winter® RAZOR Snow Plow Blade System.

It's the new "Workhorse" for city, county or state snowplow professionals. Whatever your plowing conditions - light snow to extremely heavy snow and ice, the RAZOR System can tackle it, giving you up to 400% more wear life than a steel blade setup. RAZOR's combination carbide insert blade with built-in steel cover plate eliminates the cost and hassles of using steel cover blades.

One Winter® customer who runs with a RAZOR Carbide Insert System said,  
*"It's unbelievable. We are getting more than three times the life of the old plow blade system we ran with last year - and we haven't changed it out yet."*



## Winter® RAZOR System

Order the complete system using one part number.

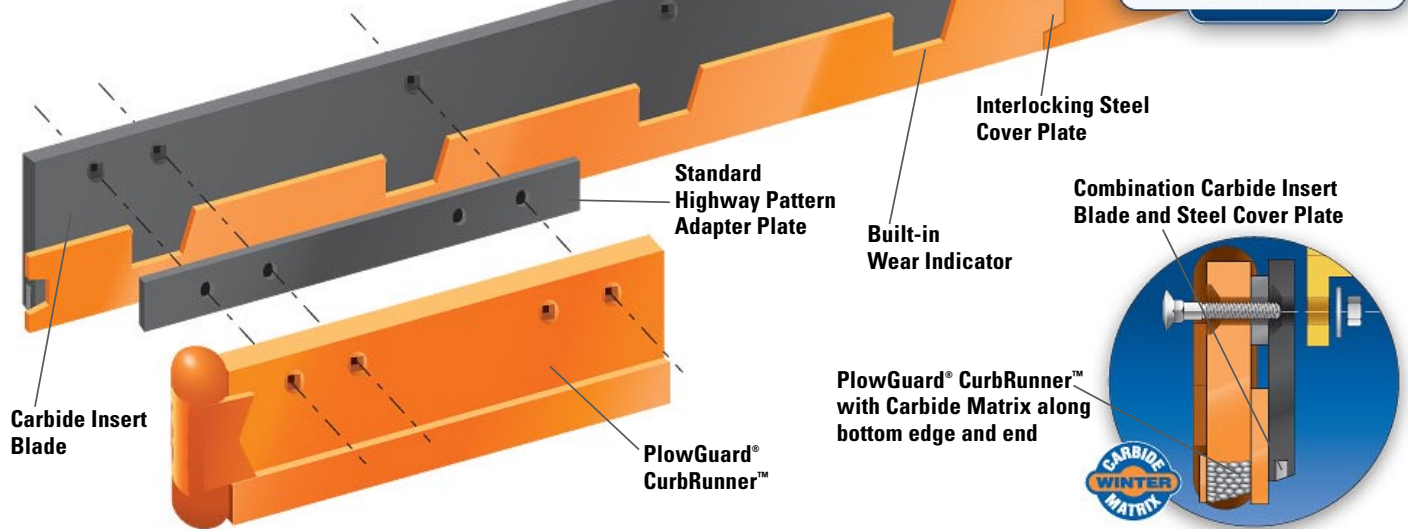
Extend your wear life as much as 400%,  
then watch your maintenance and  
equipment cost drop drastically.



[www.WinterEquipment.com](http://www.WinterEquipment.com)

# Winter® RAZOR System

The RAZOR System is a combination carbide insert blade with built-in steel cover plate protection. It eliminates the cost and installation hassles of using cover blades. PlowGuard® CurbRunners give added protection to the blade bottom and ends. This system is engineered to extend blade wear life as much as 400%. You can order the complete RAZOR system using only one part number.



## High-quality Carbide Insert Blade.

- 6" high, 3/4" high quality steel blade with carbide inserts embedded along length of bottom edge.

## Steel Cover Plate eliminates need for steel cover blade.

- 3" high, 5/8" thick steel plate reduces premature wear and protects carbide inserts from washout and damage.
- Plates interlock blade sections forming one stable unit.
- Built-in wear indicator warns when blade needs replaced.

## Winter® PlowGuard® CurbRunners can add up to 400% more wear life.

- 1-1/8" thick heavy plate steel with a 6 lb., 7/8" deep, 1-1/8" wide carbide matrix protecting the length of the bottom edge.
- 1-1/4" x 1/4" thick steel cover plate protects the carbide matrix edge.
- Steel Casting with carbide matrix protects blade and plow ends.

## High-quality plow bolts and hardware.

- Grade 8 plow bolts, washers and nuts in one plow bolt kit.
- PlowGuard® CurbRunner™ adapter plates for easy assembly.

## Order The RAZOR SystemPak Using One Part Number

You get all the parts for the complete system in one easy-to-handle, secure package. No more stocking loose parts. The crates easily stack neatly to save space. SystemPaks will help clean up your inventory, and cut maintenance time and cost. When you're ready to install, just pop open the crate. All the right parts will be at your fingertips.

### RAZOR SystemPak contains:

