

Winter® Equipment "Common Sense" Snow Plow Blade

Cut your snow plow blade installation work in half. Use the Winter Equipment 5' and 6' "Common Sense" snow plow blades to replace your "back breaking" 10' 11' and 12' blades. They are manufactured with the highest quality steel and are predrilled to easily replace standard, full sized blades.

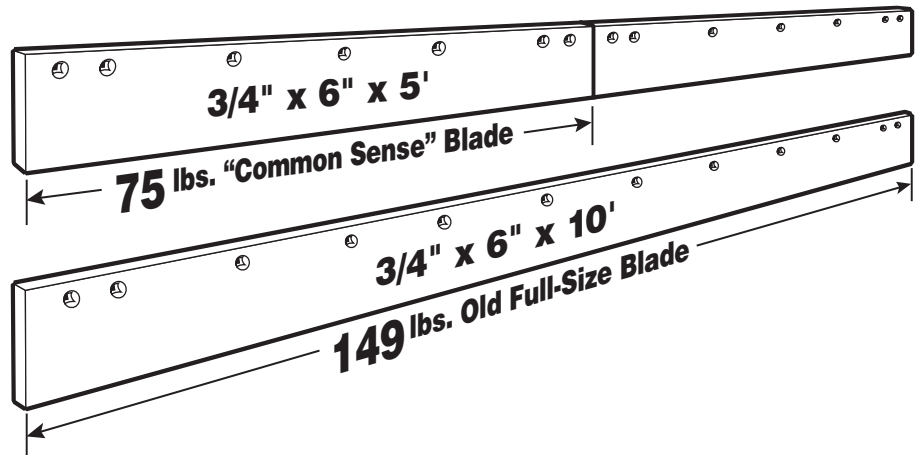
Call for Current Pricing.

ENDS "BACK BREAKING" WORK.

Easier to carry and install

No more dragging those heavy full-size blades off the delivery truck. Dragging them in and out of storage. And then, dragging them to the plow to install.

Shorter length and less weight allows one person to change a blade.



"Common Sense" Sizes Now Available:

3/4" x 6" x 5'

3/4" x 6" x 6'

LOWERS MAINTENANCE COSTS.

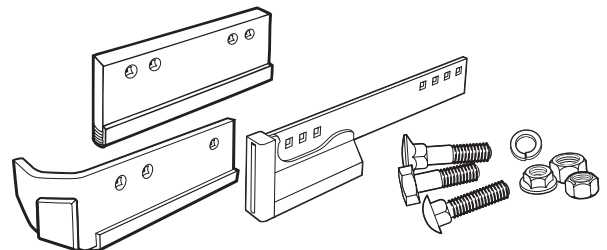
Less purchase cost. Combined price of 2 "Common Sense" blades is less than a standard size blade.

Reduce Worker's Comp Claims. Smaller size will help reduce employee back strain and injuries.

Cut repair cost. If a plow blade is damaged on one end, just replace the end that is damaged - saving time and money.

Reduces inventory and storage space. A combination of our 5' and 6' blades will fit your 10', 11' and 12' blades. They take up less storage space, and are easily handled.

Ask about our special pre-season pricing for
PlowGuards, CurbGuards, and top quality plow bolts.



Nation's Largest Manufacturer/Distributor



Winter
EQUIPMENT COMPANY, INC.

1900 Joseph Lloyd Parkway, Willoughby, Ohio 44094

TO ORDER:
1-800-294-6837 • Fax: 1-888-810-9363

www.WinterEquipment.com